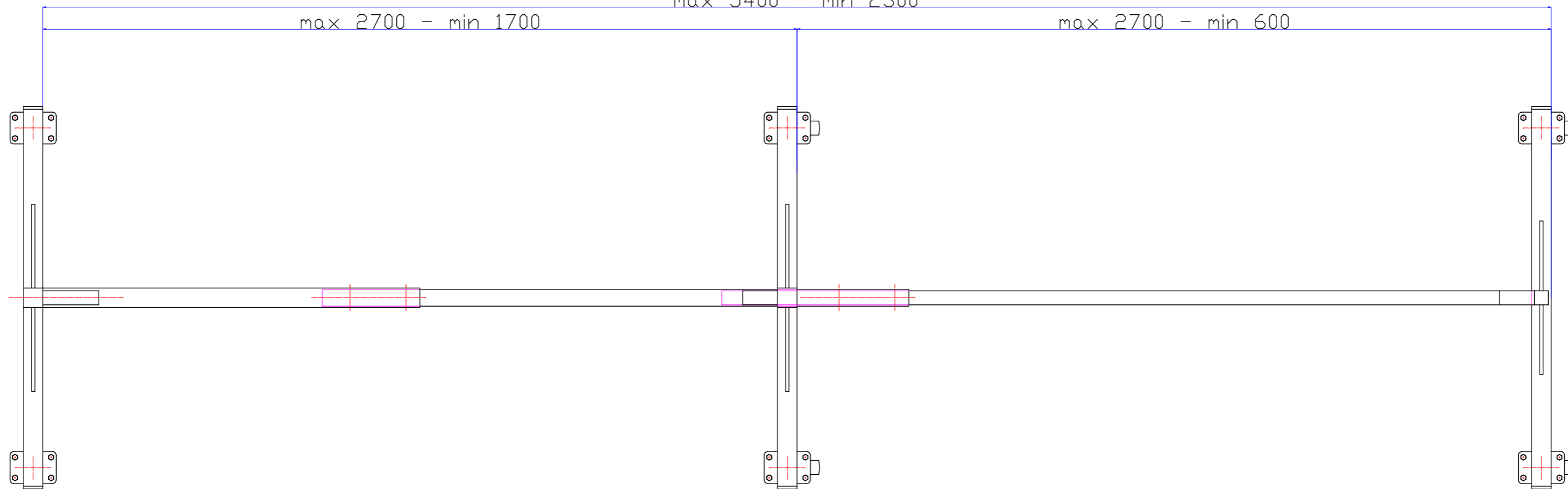
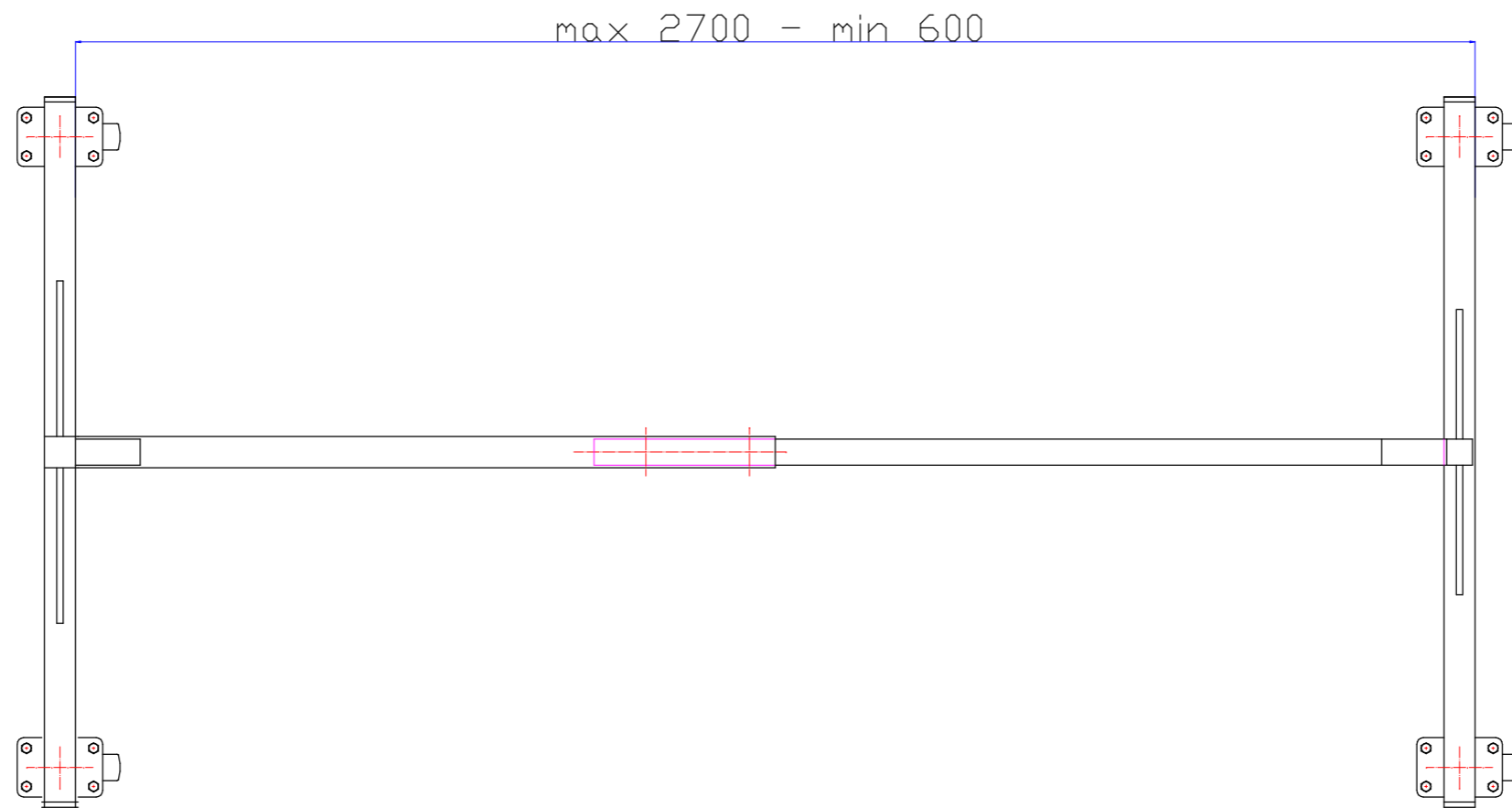
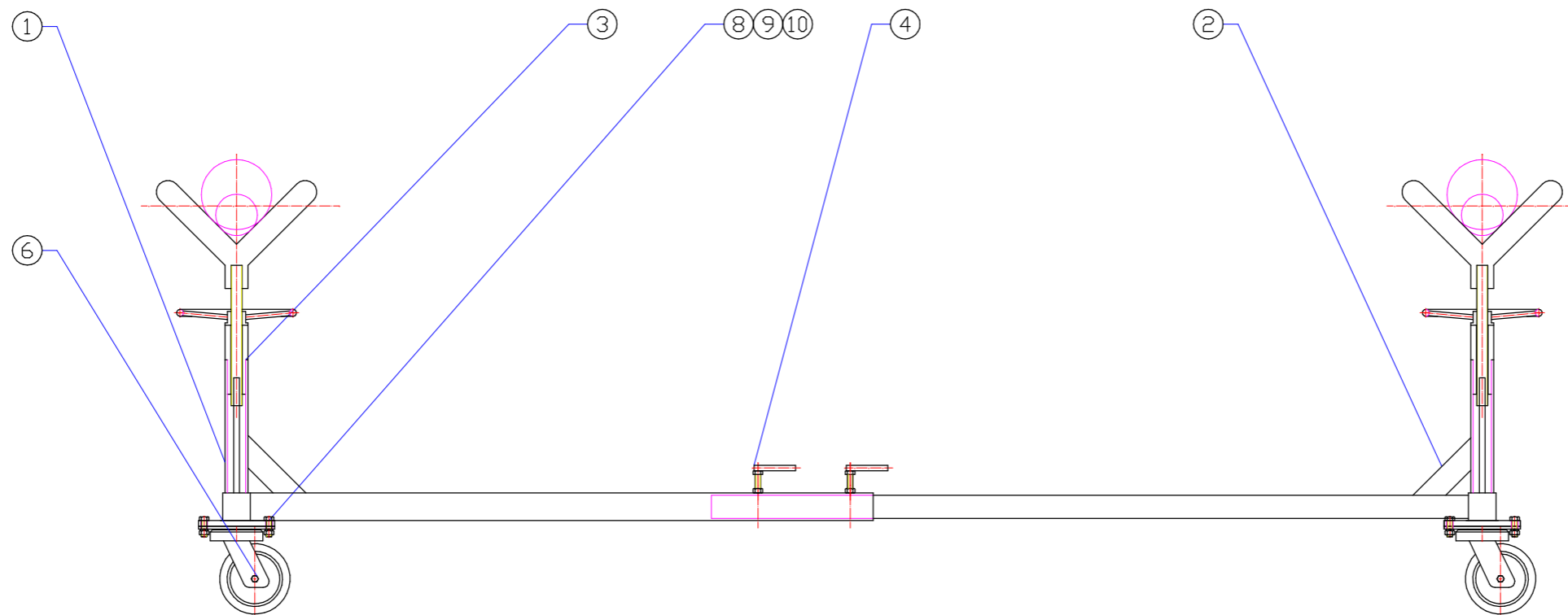


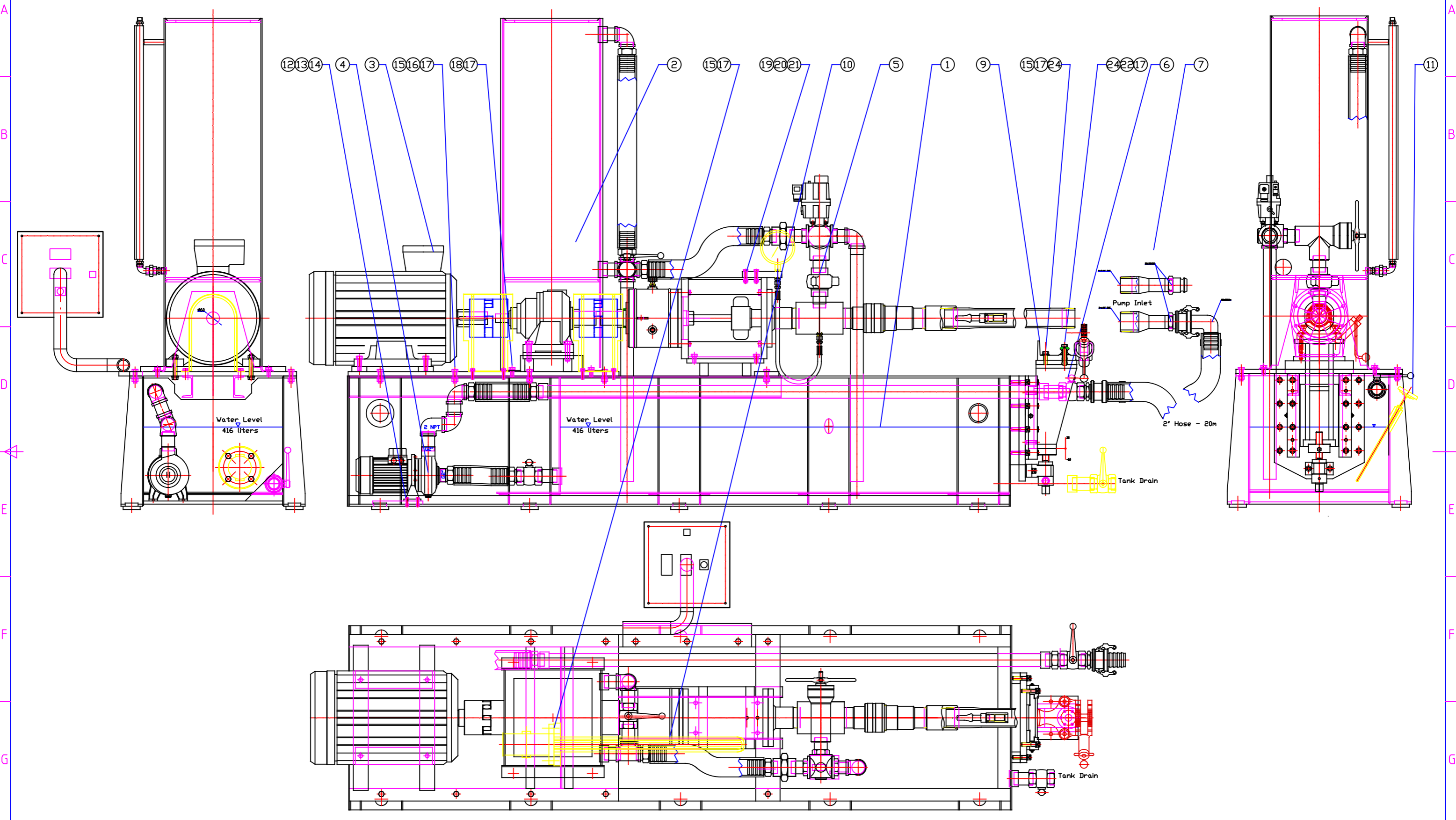
max 2700 - min 1700      max 5400 - min 2300      max 2700 - min 600



Itemref	Quantity	Title/Name, designation, material, dimension etc			Article No./Reference	
Designed by HV	Checked by HV	Approved by - date HV- 24/09/2012	Filename SC-01-00	Date 24/09/2012	Scale 1:1	
EKUAL TECH			STATOR CART			
			SC-01-00	Edition 0	Sheet 1/1	

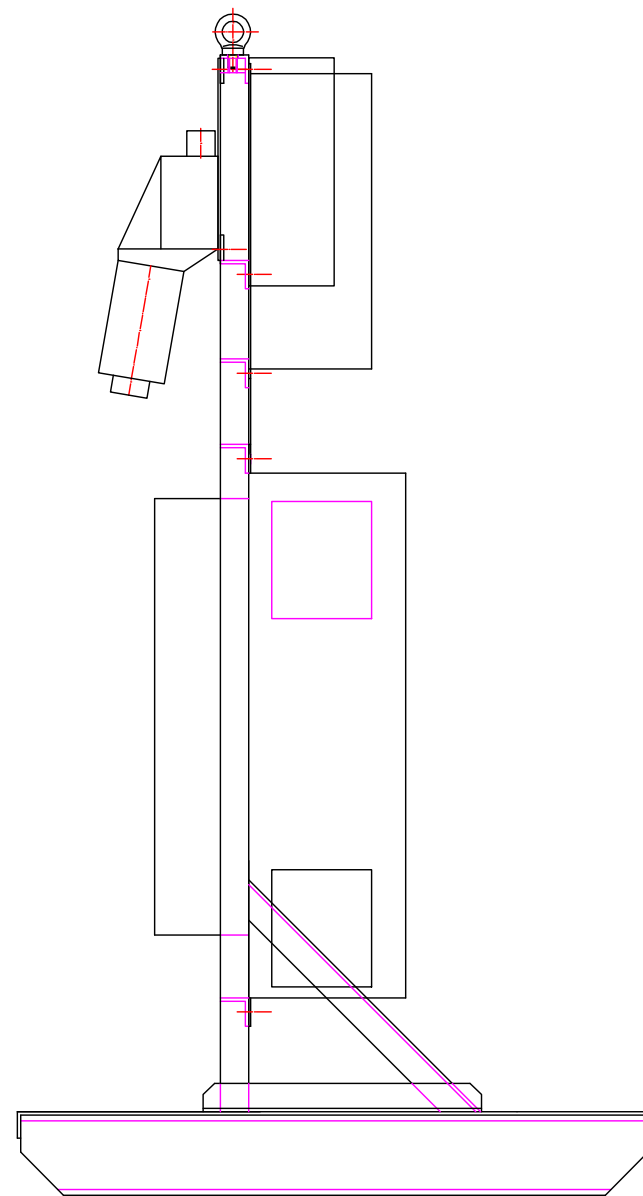
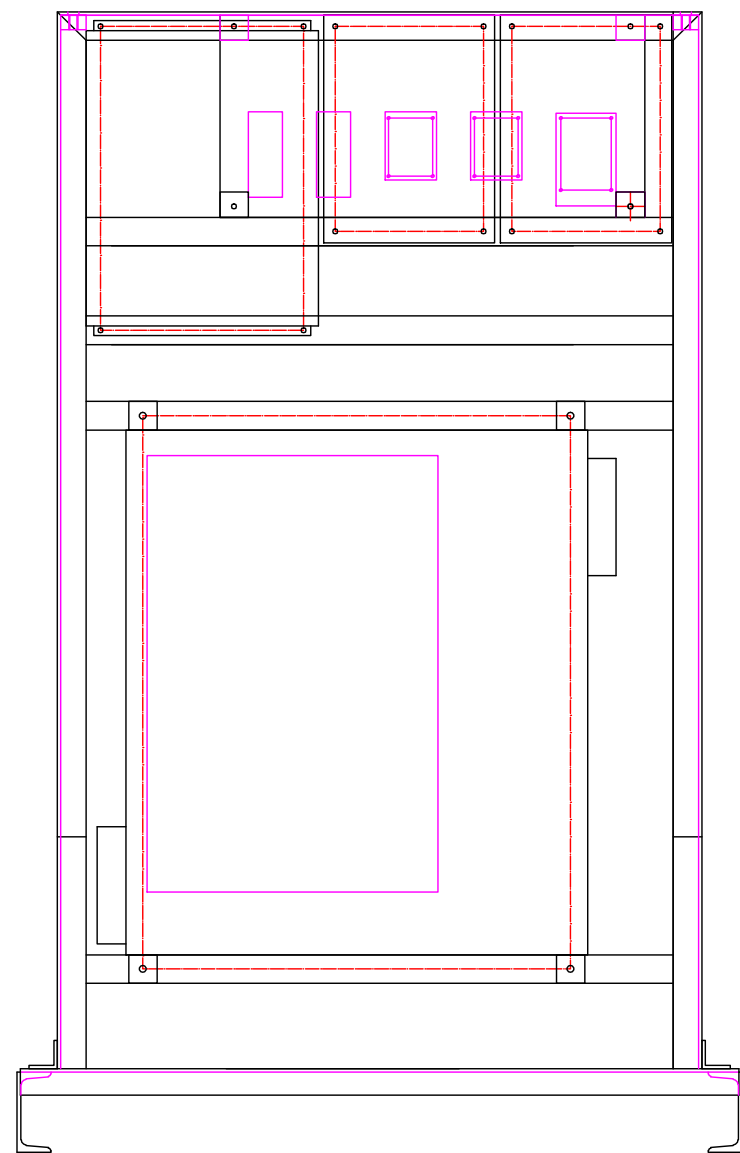


Itemref	Quantity	Title/Name, designation, material, dimension etc			Article No./Reference	
Designed by HV	Checked by HV	Approved by - date HV- 24/09/2012	Filename RC-01-00	Date 24/09/2012	Scale 1:1	
EKUAL TECH			ROTOR CART			
			RC-01-00		Edition 0	Sheet 1/1



Itemref	Quantity	Title/Name, designation, material, dimension etc			Article No./Reference	
Designed by HV	Checked by HV	Approved by - date HV - 24/09/2012	Filename PB-01-00	Date 24/09/2012	Scale 1:1	
EKUAL TECH				PUMP TEST BENCH		
				PB-01-00	Edition 0	Sheet 1/1

RevNo	Revision note	Date	Signature	Checked



Itemref	Quantity	Title/Name, designation, material, dimension etc			Article No./Reference	
Designed by HV	Checked by HV	Approved by - date HV - 12/04/2017	Filename CS-01-01	Date 12/04/2017	Scale 1:1	
EKUAL TECH			CONTROL SKID			
			CS-01-01		Edition 0	Sheet 1/1